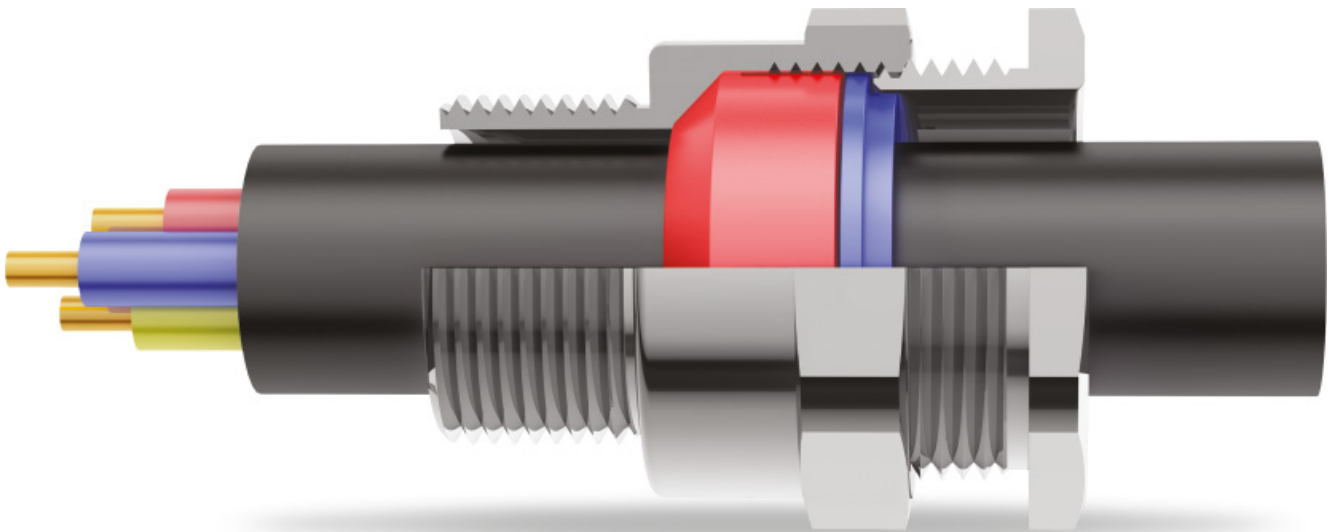


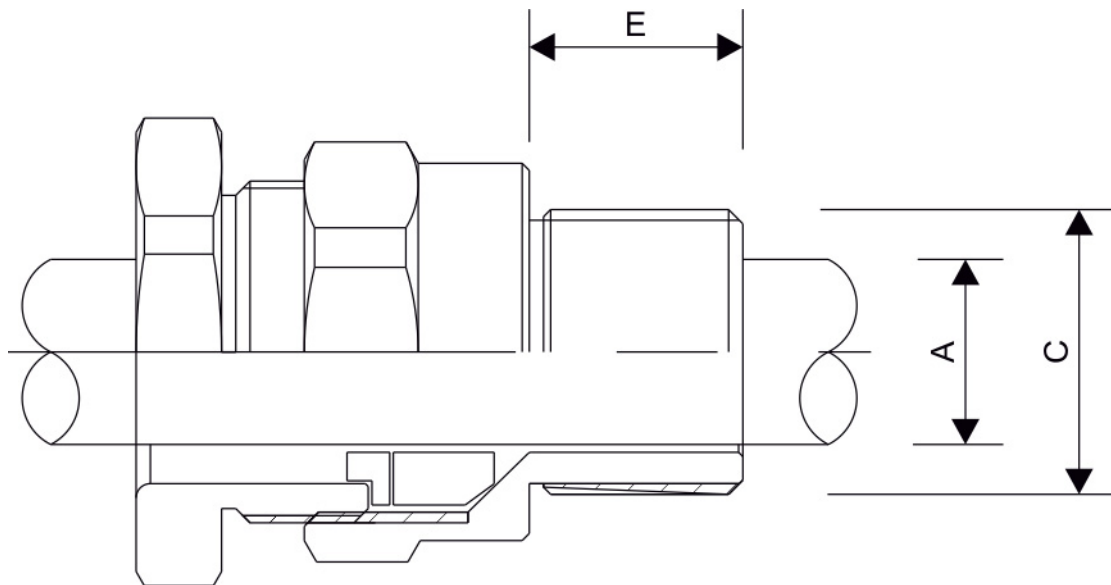
Technical Data Sheet

A2F Cable gland



A2F Cable Gland for all types of unarmoured cables:

Technical Information:	
<i>Design Specification</i>	IEC/EN 62444
<i>Ingress Protection</i>	IP66 & IP67, Ex d, Ex e, Ex t
<i>Gland Material</i>	Brass(CuZn39Pb3), Stainless Steel(304 or 316L), Aluminium(6082)
<i>Operating Temperatures</i>	Neoprene: -20°C to +80°C Silicone: -60°C to +180°C
<i>Sealing Method</i>	Displacement Sealing
<i>Sealing Area</i>	Cable Outer Sheath
<i>Finish</i>	Natural Brass or Nickel Plated, SS
<i>Cable Types</i>	Unarmoured
<i>Application</i>	Outdoor
<i>Accessories</i>	Lock Nut, Earth Tag, Shrouds, IP Washer
<i>Additional accessories</i>	Adaptor, Reducer



A2F Single Compression Cable Glands. Product Datasheet:

Size Chart / Specification

CODE	CABLE GLAND SIZE	ENTRY THREAD "C"			THREAD LENGTH "E"		CABLE DIAMETER "A"		M MAX	N MAX
		METRIC	NPT	OPTIONAL NPT	METRIC	NPT	MIN	MAX		
-EX-A2F-20S16	20S16	M20	1/2"	3/4"	17	20	3.2	8.5	24	26.5
-EX-A2F-20S	20S	M20	1/2"	3/4"	17	20	6.2	11.6	24	26.5
-EX-A2F-20	20	M20	1/2"	3/4"	17	20	8.0	13.9	27	30
-EX-A2F-25	25	M25	3/4"	1"	17	21	11.2	19.6	36	40
-EX-A2F-32	32	M32	1"	1.1/4"	17	26	17.1	26.0	42	46
-EX-A2F-40	40	M40	1.1/4"	1.1/2"	17	26	23.6	31.6	50	55
-EX-A2F-50S	50S	M50	1.1/2"	2"	17	26	31.1	37.5	55	60
-EX-A2F-50L	50	M50	2"	2.1/2"	17	27	35.7	43.1	61	65
-EX-A2F-63S	63S	M63	2"	2.1/2"	17	27	41.6	48.7	70	77
-EX-A2F-63L	63	M63	2.1/2"	3"	17	40	47.3	55.2	74	81
-EX-A2F-75S	75S	M75	2.1/2"	3"	17	40	54.1	61.2	80	87
-EX-A2F-75L	75	M75	3"	3.1/2"	17	42	61.2	67.2	91	93
-EX-A2F-90	90	M90	3.1/2"	4"	24	44	66.7	79.2	108	116

- * Degrees of protection (IP Code) : IP66 / IP68 (1.5 meter, 2 Hours)
- * All the dimensions given are in Millimeters (mm)
- * Can be also provided in Kit Packing as per requirement

Disclaimer: Product sizes mentioned in the catalogue are for reference purpose only. The actual dimensional details would be available only after request based on the actual requirement.

